



VWS-10

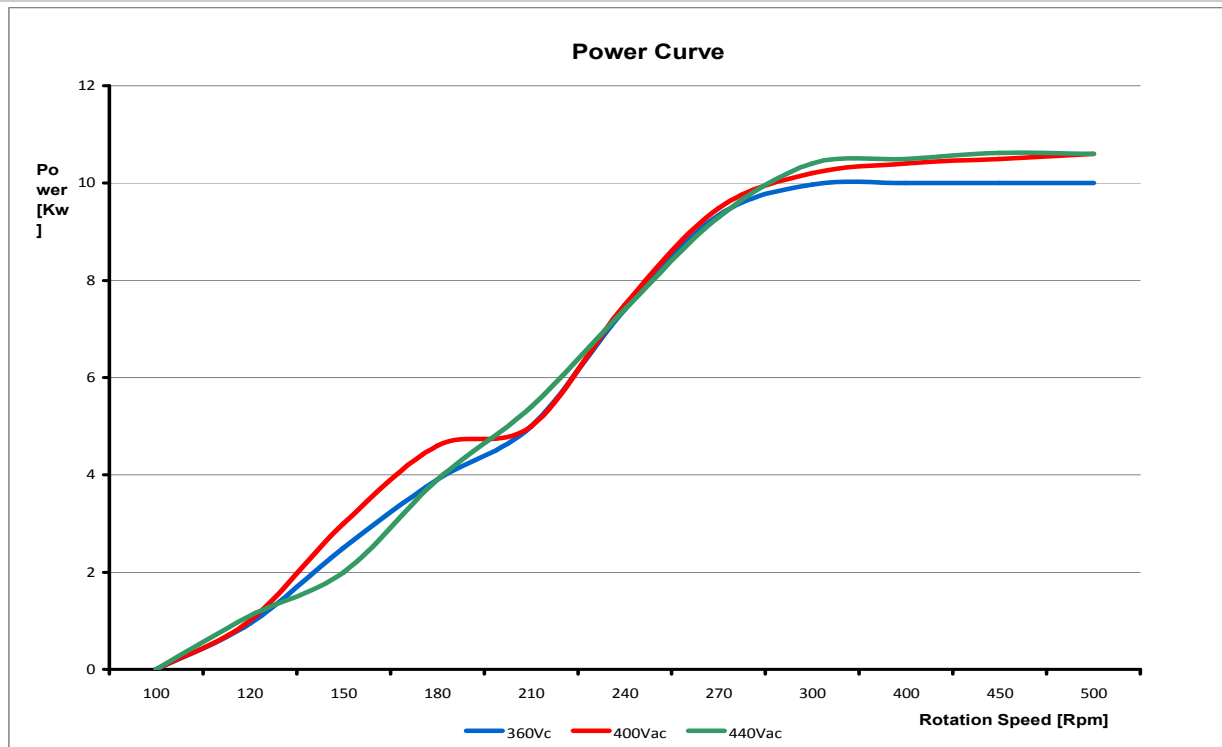
300 RPM

Variable Wind Solutions
 Yitzhak Sade 28, PO Box 51701
 Tel Aviv, Israel, 67212
 Phone: +972-3-5379006
 Internet: www.variable-wind.com
 Email: info@variable-wind.com

SPECIFICATIONS (5/2010)

Product	VWS-10
Rating (kW)	10
Nominal Speed (RPM)	300
Cut-in Speed (RPM)	120
Cut-out Speed (RPM)	<480
Output Voltage	3X400Vac ($\pm 10\%$)
Efficiency	93.2%
Power Factor	$\text{Cos}\phi > 0.92$
Sealing Level	IP-45 (Can be customized)
Minimal Airflow	20.8m ³ /min (Self-ventilated)
Rotor Inertia	1.266Kgm ²
Acoustic Level	88dB(A) @ 1m & 74dB(A) @ 7m
Weight	310 Kg

Performance





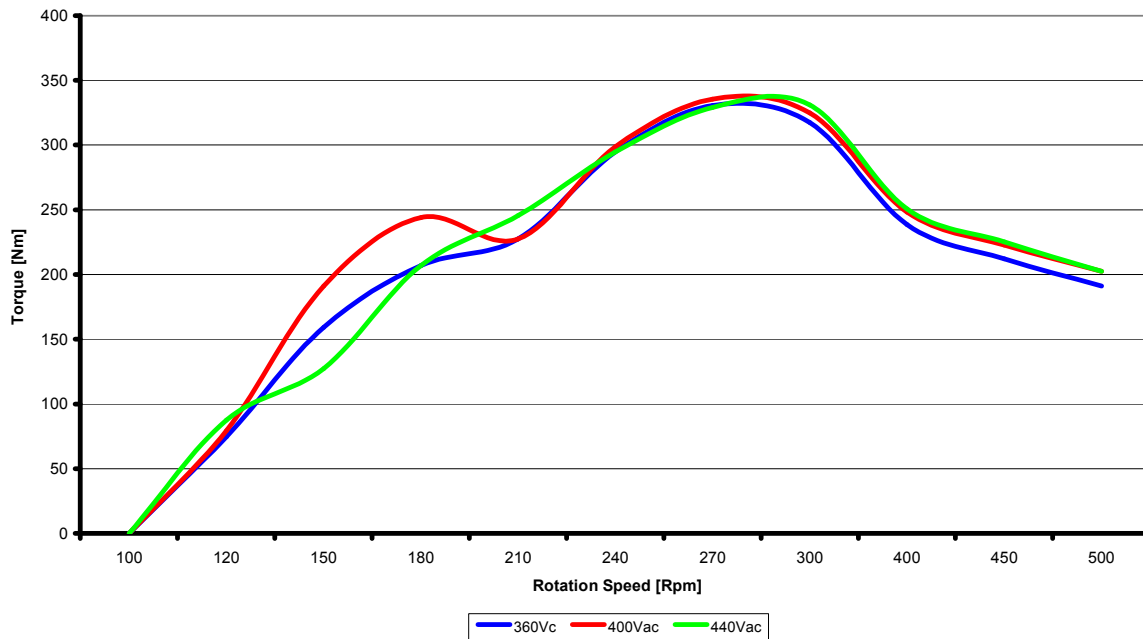
VWS-10

300 RPM

Variable Wind Solutions
 Yitzhak Sade 28, PO Box 51701
 Tel Aviv, Israel, 67212
 Phone: +972-3-5379006
 Internet: www.variable-wind.com
 Email: info@variable-wind.com

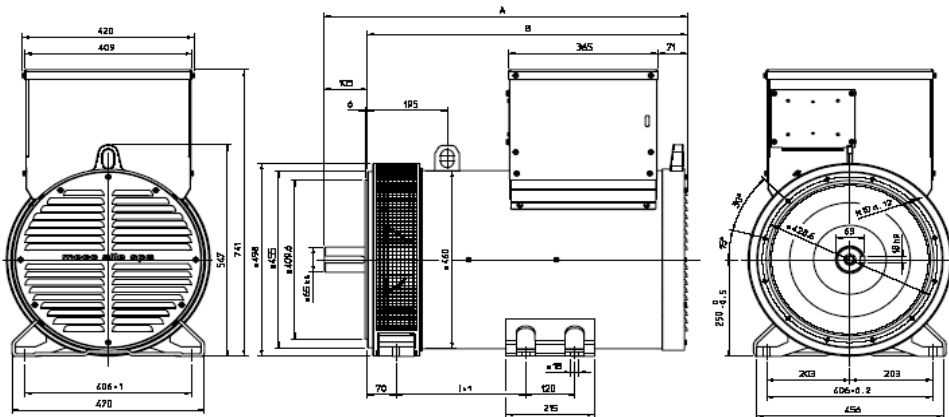
SPECIFICATIONS (5/2010)

Torque Curve



Overall Dimensions

dimensions in mm



TYPE	A	B	I
HCP34S/20	806,5	701,5	227
HCP34L/20	886,5	781,5	317

